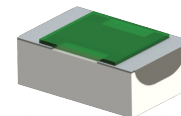


RK0302ZZ-XXXXWN-90 Features:

- 1/4 Wraparound Terminal Configuration
- Solder, Epoxy or Wirebond Attachment
- Customer Defined Testing Available
- RoHS Compliant or SnPb Available
- Waffle Pack Available (Standard is bulk)



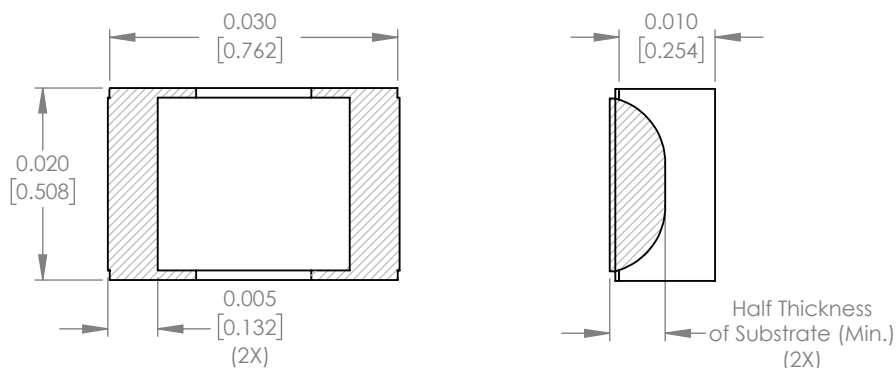
RK0302ZZ-XXXXWN-90 Parameters:

Resistance Range: 0.5Ω to 1MΩ
 CW Rated Power: 60mW*
 Construction: Thick Film on Al₂O₃
 Operating Temperature: -55 to +150°C

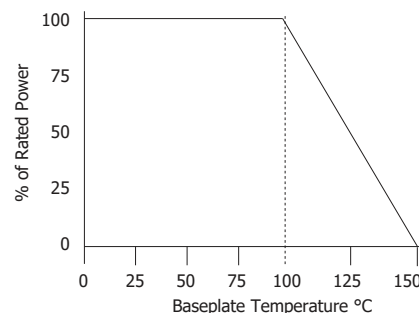
■ Actual Size

* Rating based on ≤100°C constant baseplate temperature

RK0302ZZ-XXXXWN-90 Dimensions:



RK0302ZZ-XXXXWN-90 Power Derating Curve



Dimensions in inches [mm]
 Tolerance is ± 0.005 [0.127]
 unless otherwise stated

Ordering Information:

RK	0302	ZZ	- XXXX	W	N	-	90	UU
Prefix for Resistor w/ 1/4 Wraparound Terminals		Value Code Examples		Tolerance	Normal Inspection Contact factory for additional options	Substrate		Packaging
Size	0302	R500 - 0.5Ω	1001 - 1KΩ	F - 1%		90 - 0.010" Al ₂ O ₃	Blank - Bulk	WP - Waffle Pack
		1R00 - 1Ω	1002 - 10KΩ	G - 2%				
		10R0 - 10Ω	1003 - 100KΩ	J - 5%				
		1000 - 100Ω	1004 - 1MΩ	K - 10%				

Terminal Metallization

Terminal	Metallization
AS -	SnPb Solder over Platinum Palladium Gold
BA -	Palladium Silver
CB -	SnPb Solder over Nickel over Silver
CT -	100% Matte Tin over Nickel over Silver
CX -	Sn96 over Nickel over Silver
GA -	Gold

	RoHS	Magnetic	Solder	Epoxy	Wirebond
AS -	No	No	Yes	No	No
BA -	Yes	No	No	Yes	No
CB -	No	Yes	Yes	No	No
CT -	Yes	Yes	Yes	No	No
CX -	Yes	Yes	Yes	No	No
GA -	Yes	No	No	Yes	Yes

Barry Industries reserves the right to change part number and/or process without notification.

RK0302ZZ-XXXXWN-90 Features:

Parameter:	Test Condition:	Results:
Short Time Overload	Apply 1.1x Rated Power for 5 Seconds.	≤ 5.0% Resistance Shift
Rated Load Life	Apply 1/2 Power Under 40°C ±2°C 90 Minutes on/ 30 Minutes off. Repeat for 100 hours	≤ 5.0% Resistance Shift
Moisture Resistance	MIL-PRF-55342 para 4.8.9 95% RH, 25°C - 65°C	≤ 5.0% Resistance Shift
Resistance to Soldering Heat	MIL-STD-202 Method 210 and MIL-PRF-55342 Para 4.8.8.1	≤ 5.0% Resistance Shift
Resistance to Bonding Exposure	MIL-PRF-55342 Para 4.8.8.2	≤ 5.0% Resistance Shift
Solderability	MIL-PRF-55342 Para 4.8.12	>95% Covered
High Temperature Storage	125°C ±2°C for 500 Hours	1.) ≤ 5.0% Resistance Shift 2.) No Significant Abnormality (Visual)
Thermal Shock	-65 to +125 30 Minutes Dwell, 5 Cycles	1.) ≤ 5.0% Resistance Shift 2.) No Significant Abnormality (Visual)

Barry Industries reserves the right to change part number and/or process without notification.